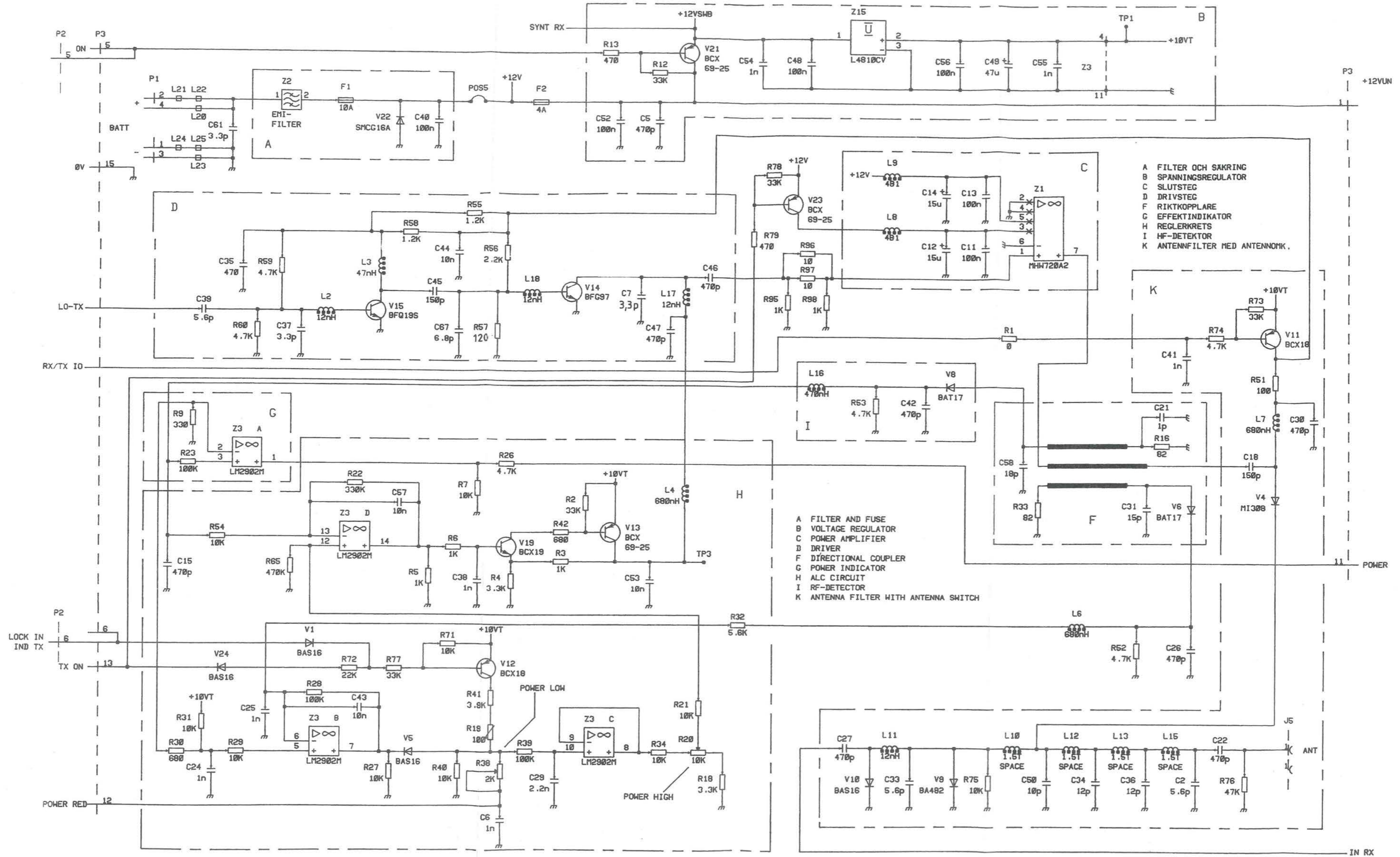


Uppgjord Prepared KI/ERA/R/BN M.F.	Faktaansvarig Subject responsible YA/TR L.S.	Nr. No 1911-ROA 119 3004 UX
Dokansv Godk. Decisions Approved YA/TR <i>[Signature]</i>	Datum Date 1992 05 12	Rev D
Benämning C705L RADIOKORT SIMPLEX SANDARE	Title C705L RADIO BOARD SIMPLEX TRANSMITTER	
Toleranser Tolerances	Ritningsregler Drawing rules	Ref

Sheet  
Rev



- A FILTER OCH SÄKRING
- B SPÄNNINGSREGULATOR
- C SLUTSTEG
- D DRIVSTEG
- F RIKTKOPPLARE
- G EFFEKTIKATOR
- H REGLERKRETS
- I HF-DETEKTOR
- K ANTENNFILTER MED ANTENNONK.

- A FILTER AND FUSE
- B VOLTAGE REGULATOR
- C POWER AMPLIFIER
- D DRIVER
- E POWER INDICATOR
- F DIRECTIONAL COUPLER
- G POWER INDICATOR
- H ALC CIRCUIT
- I RF-DETECTOR
- K ANTENNA FILTER WITH ANTENNA SWITCH

Bildkon

6789  
reprod