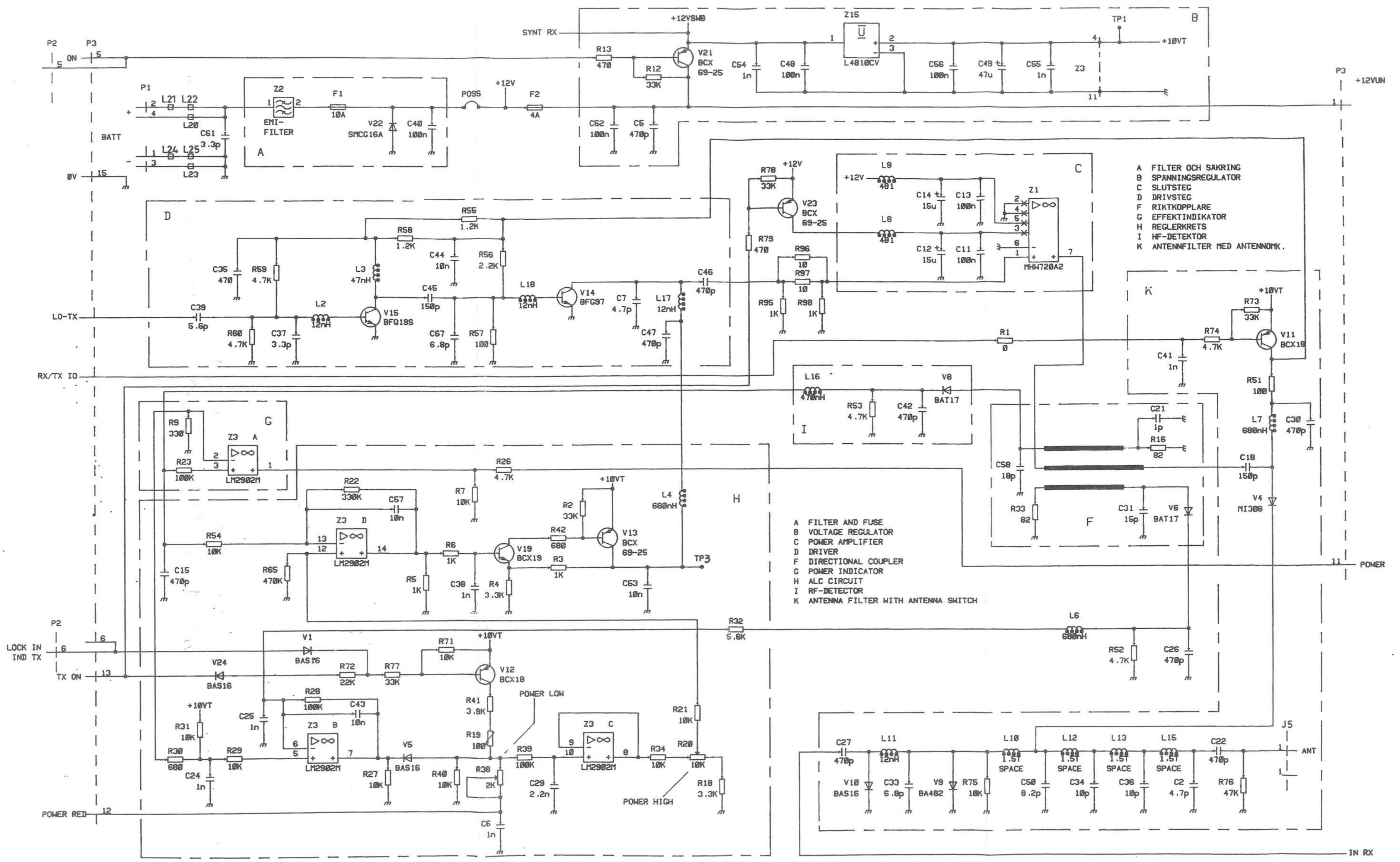


Uppgjord - Prepared KI/ERA/GT/DK H.F.	Faktsvarig - Subject responsible FT/RF L.S.	Nr.-No. 1911-ROA 119 8734 UX
Dokanav/Godk. - Doc respons / Approved YA/TR <i>Son Kohn</i>	Datum - Date 1991 11 26	Rev F
Benämning C705M RADIOKORT SIMPLEX SANDARE	Titel C705M RADIO BOARD SIMPLEX TRANSMITTER	
Toleranser - Tolerances	Ritningsregler - Drawing rules	Ref

Sheet
Rev



- A FILTER OCH SÄKRING
- B SPÄNNINGSREGULATOR
- C SLUTSTEC
- D DRIVSTEC
- E RIKTKOPPLARE
- F EFFEKTINDIKATOR
- H REGLERKRETS
- I HF-DETEKTOR
- K ANTENNFILTER MED ANTENNONK.

- A FILTER AND FUSE
- B VOLTAGE REGULATOR
- C POWER AMPLIFIER
- D DRIVER
- F DIRECTIONAL COUPLER
- G POWER INDICATOR
- H ALC CIRCUIT
- I RF-DETECTOR
- K ANTENNA FILTER WITH ANTENNA SWITCH

56789
Reprod