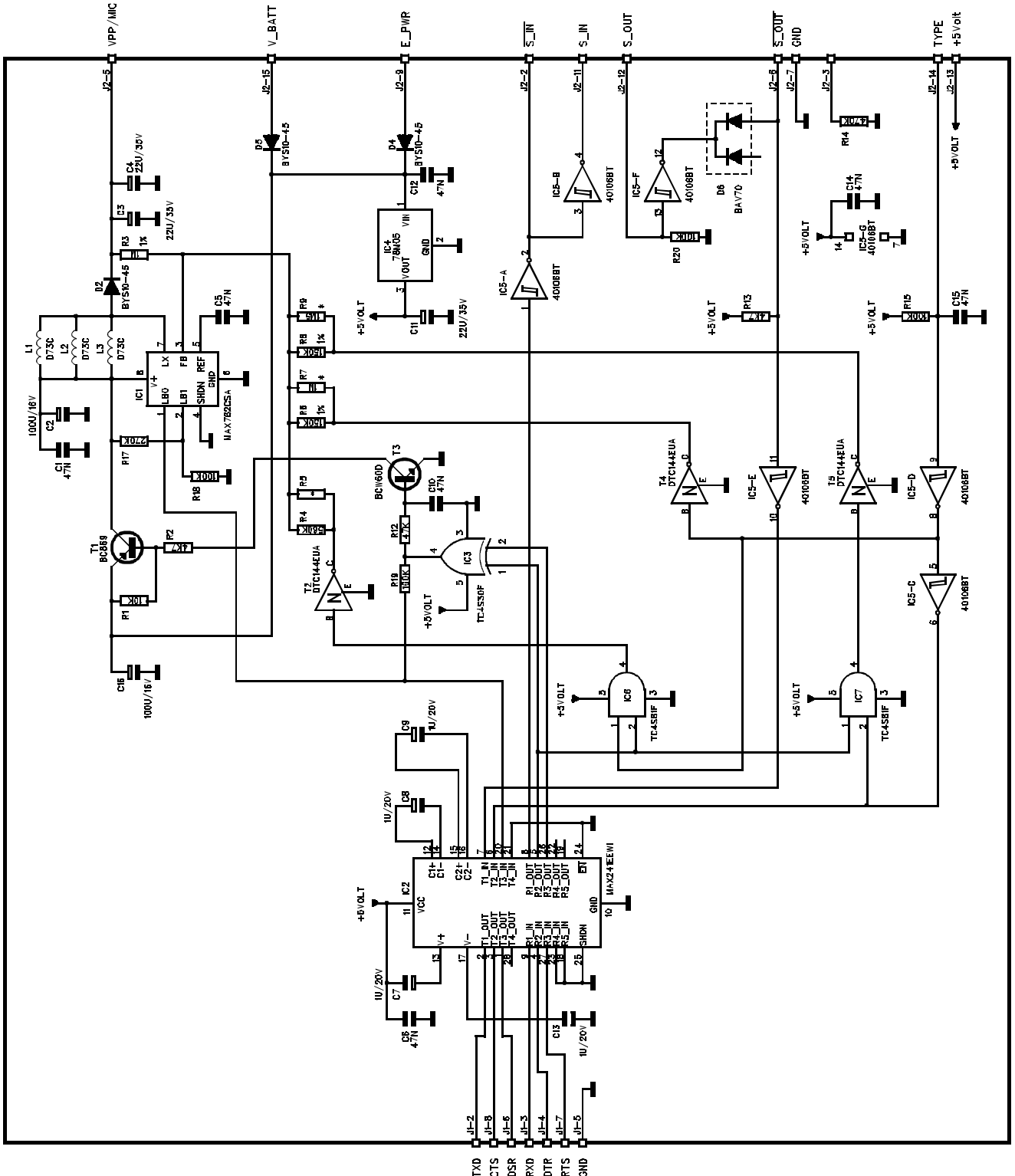


7.1 Programming interface TRX1001/TRX1012/TRX3001

File/Reference	Prepared	Date	Revised by	Revised date	Revision No.	Approved
Manual for Accessories	TN	14-12-04	TN	31-08-00	1	PA

7.1.1 Diagram

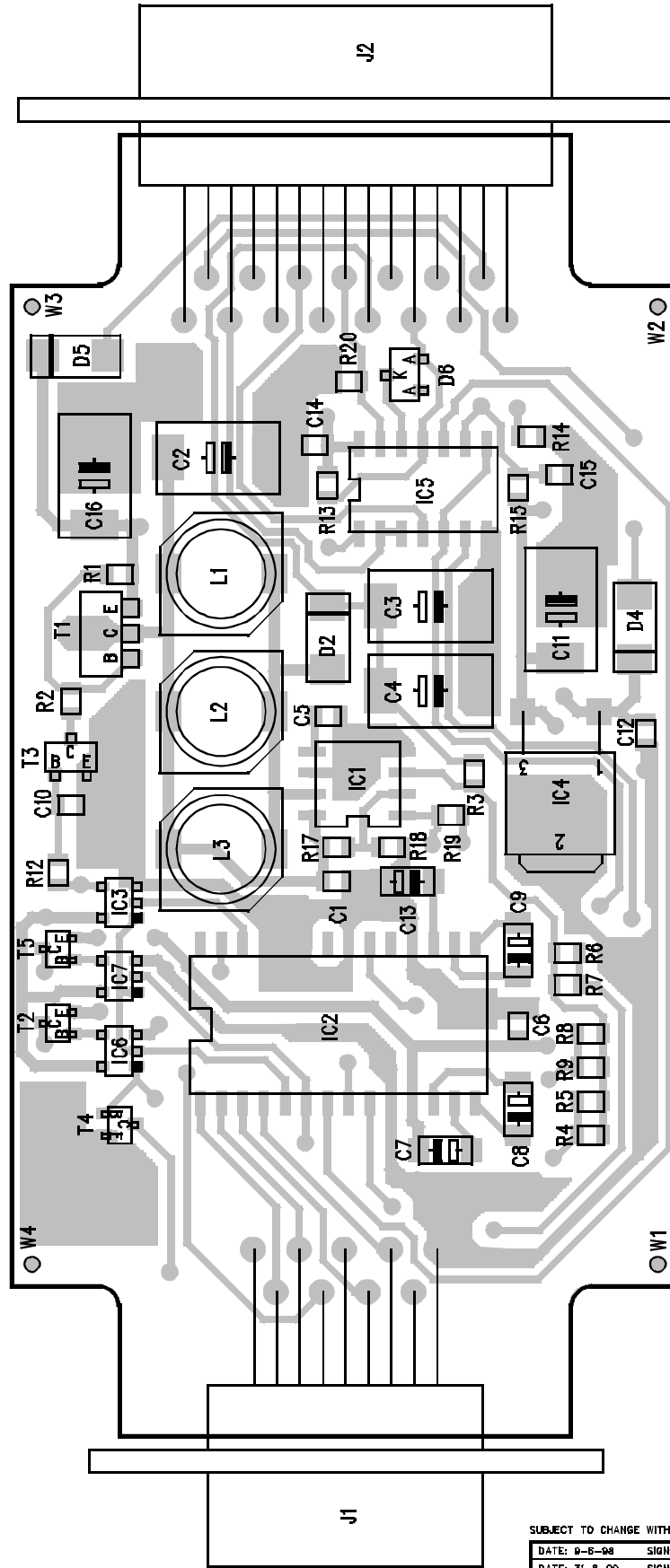


SUBJECT TO CHANGE WITHOUT NOTICE

DATE: 9-8-98	SKH: PA	1	NIROS TELECOMMUNICATION A/S HRPSEMARKEN 5, 3520 FARUM Programming interface TRX101/TRX1012/TRX3001
DATE: 31-8-00	SKH: PA	2	
DATE:	SKH:		
DATE:	SKH:		
DATE:	SKH:		
DRAWING NO: 0-3004-03-2	PCB NO: 781-1	UNIT NO: 3080	

File/Reference	Prepared	Date	Revised by	Revised date	Revision No.	Approved
Manual for Accessories	TN	14-12-04	TN	31-08-00	1	PA

7.1.2 Componentside



Componentside 781-2

SUBJECT TO CHANGE WITHOUT NOTICE

DATE: 0-8-98	SIGN: PA	1	NIROS TELECOMMUNICATION A/S HJSEMARKEN 5, 3520 FARUM
DATE: 31-8-00	SIGN: PA	2	
DATE:	SIGN:		Programming interface TRX1001/ TRX1012/ TRX3001
DATE:	SIGN:		
DATE:	SIGN:		
DATE:	SIGN:		
DRAWING NO: 0-3004-05-2			PCB NO: 781-1 UNIT NO: 3080

File/Reference	Prepared	Date	Revised by	Revised date	Revision No.	Approved
Manual for Accessories	TN	14-12-04	TN	31-08-00	1	PA